

„Comfortable  
like  
your favourite Sofa“



*SoftAir*

*Perfectly Padded Products*

bathtubs & shower trays  
offer:

- **comfort**
- **safety**
- **high cleanability & durability**
- **modern design**



**DR.-ING. DIETZ**

**Kunststofftechnik GmbH**

Manufacturer of soft padded bathtubs & shower trays

[www.3w-shower.de](http://www.3w-shower.de)

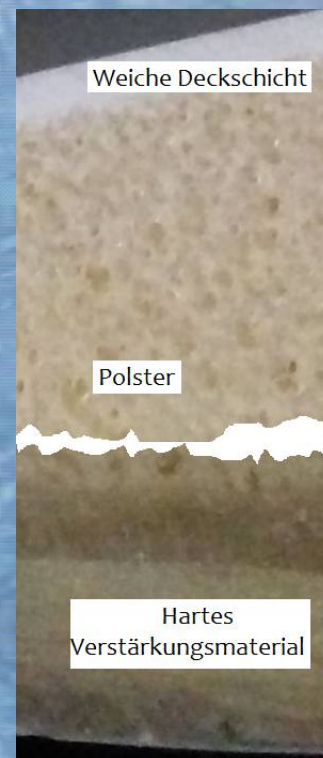


Jenneweg 160  
D-66113 Saarbrücken  
Tel: +49681-68661880  
Fax: +49681-68860651

## SoftAir Perfectly Padded Products

bathtubs & shower trays  
offer:

- comfortable soft padded surface
- shock absorbing & skid-proof surface (lower risk of injury)
- little heat conduction (water holds temperatur for longer time)
- no outgassing of cancer causing solvents
- durable materials
- ergonomic design of pads
- filigranes Design possible
- matching german standards for cleanability, durability & chemical resistance DIN EN 14516:2006+A1
- Integral panels reduce assembly time on construction site



Do you need a customized bathtub or shower tray (dimensions, position of pads etc.)? Please contact us, we are happy to help !



**DR.-ING. DIETZ**  
**Kunststofftechnik GmbH**  
Manufacturer of soft padded bathtubs & shower trays  
[www.3w-shower.de](http://www.3w-shower.de)

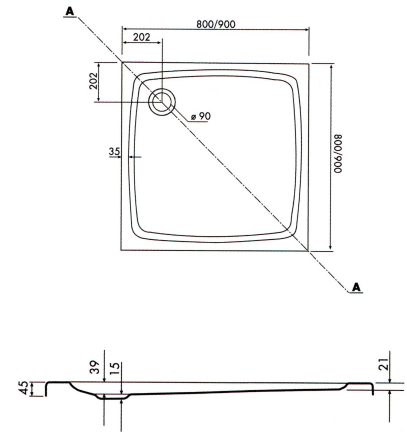


Jenneweg 160  
D-66113 Saarbrücken  
Tel: +49681-68661880  
Fax: +49681-68860651

**SoftAir shower tray, white**  
 90 cm X 90 cm x 30 cm,  
 Product no.: P5008 000 SSH



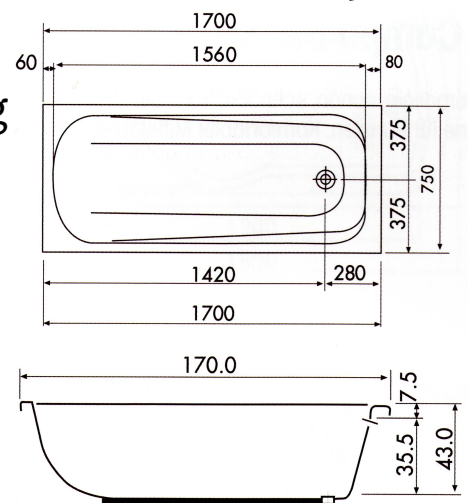
Price incl. VAT.: € 770,-



**SoftAir bathtub, white,**  
 170 cm X 75 cm, without apron/with 1  
 INTEGRAL front & 2 end panels/freestanding  
 Product no: P2011



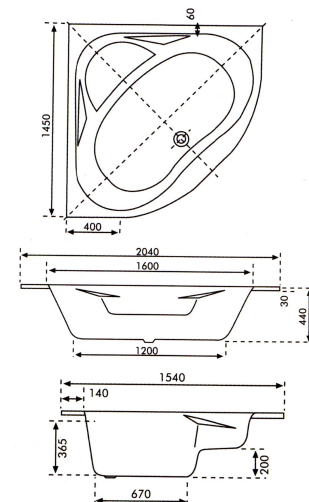
Price incl. VAT.: ab €1.196,-



**SoftAir corner bathtub, white**  
 140 cm X 140 cm,  
 with INTEGRAL front panel  
 Product no.: P2016 050 GSH



Price incl. VAT.: €1.880,-



Wunderbar  
**3W**  
 Weiche Wannen

**DR.-ING. DIETZ**  
**Kunststofftechnik GmbH**  
 Manufacturer of soft padded bathtubs & shower trays  
[www.3w-shower.de](http://www.3w-shower.de)



Jenneweg 160  
 D-66113 Saarbrücken  
 Tel: +49681-68661880  
 Fax: +49681-68860651